

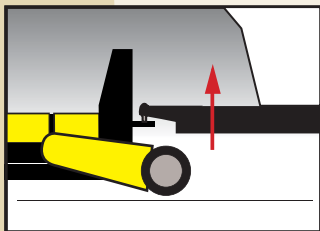
TrailerCaddy™

6K Lift - 36v

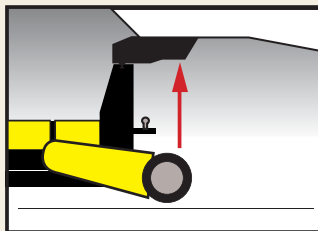
**The Walk Behind, Battery
Powered Trailer Mover.
Move Heavy Trailers With Ease!**



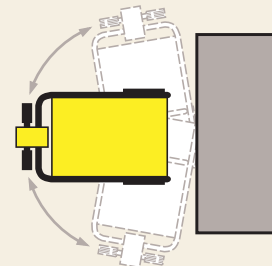
**Lifts tongue weight up to 6,000 lbs
Pushes or pulls up to 50,000* lbs**
Optional Air Brake Release Package Available
**Zero Grade Smooth Surface Rating*



**Lifts and Moves Standard
Ball and Pintle Coupler
Trailers.**



**Lifts and Moves King Pin
and Goose Neck Style
Coupler Trailers.**



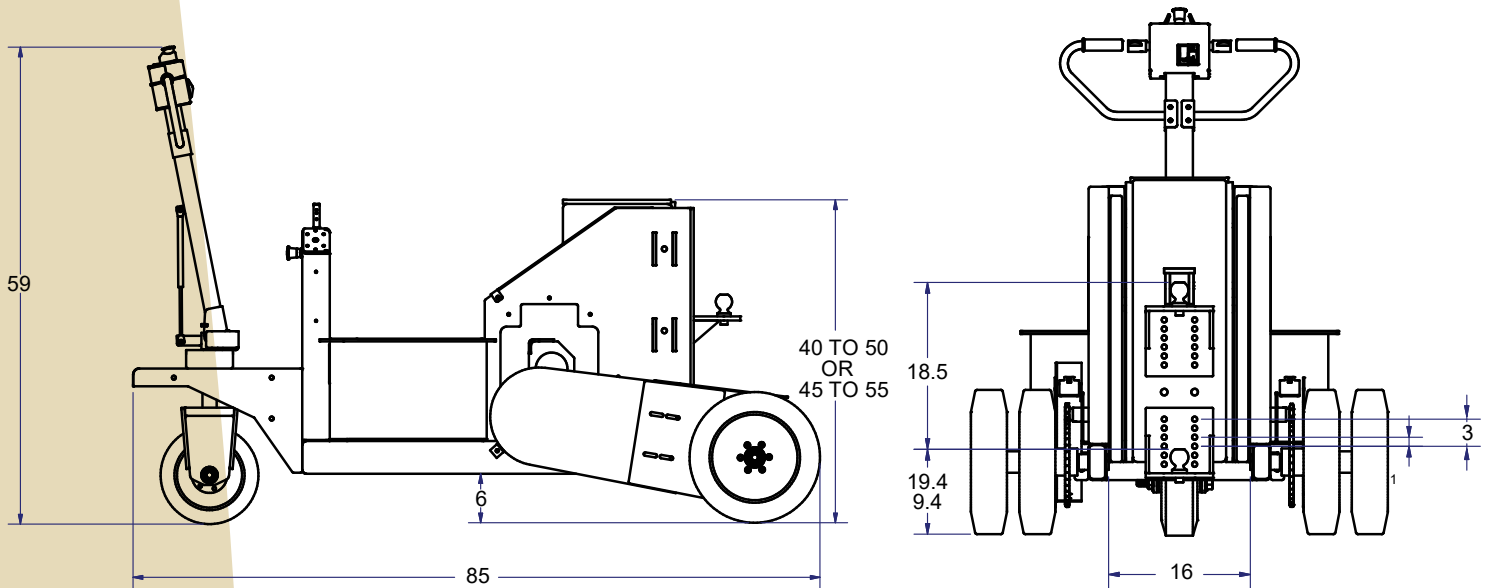
**Lifts and Moves Heavy
Campers, Boats, Utility,
Generators or Equipment
Trailers!**

DJ PRODUCTS, INC.

1009 4th St. NW, Little Falls, MN 56345 • PH: 800-686-2651 • FAX: 320-632-3553 • www.djproducts.com

TrailerCaddy™

6K Lift - 36v



TrailerCaddy 6K Lift - 36v Standard Features

- Heavy Duty Steel Frame
- 3HP Motor/Differential Transaxle
- 2:1 Gear Reduction with Chain to Drive Tires
- High Tech Speed Controller
- Neutral Throttle Braking
- Adjustable Acceleration/Braking
- 6000 lbs Hydraulic Cylinder Lift Kit
- 36v (3) 80 Amp Batteries
- Variable Speed Thumb Twist Pad
- 0-2 mph Forward/ Reverse
- Battery Discharge Indicator
- Onboard Charger
- Safety Stop Switch
- Safety Horn
- Non-marking Solid Front Tire
- (2) 16" Solid Tread Drive Tires
- (1) 12" Solid Thread Steer Tire

TrailerCaddy 6K Lift - 36v Options

TrailerCaddy 6K Lift - 36v

King Pin Attachment for 5th Wheel Trailers

Upgrade to Dual 16" Aggressive Tread Drive Tires
(for lifting loads over 4000 lbs)

Air Break Release Kit
(includes pump motor, 2 cables & 5 gal. air tank)

Pintle Hitch

Ball Hitch and Bracket

Safety Strobe Flashing Light

Upgrade to Maintenance-Free Batteries (set of 3)

Upgrade to Qty: (6) 80 Amp Batteries

Upgrade to Qty: (6) Maintenance-Free Batteries

Upgrade to 110 Amp AGM Batteries (set of 3)

Upgrade to Qty: (6) 110 Amp AGM Batteries
(AGM batteries needed for oversea's shipments)

These options are only recommendations. Please consult a Sales Engineer at DJ Products, Inc. for your specific application. Other options are available.

DJ PRODUCTS, INC.

1009 4th St. NW, Little Falls, MN 56345 PH: 800-686-2651 • FAX: 320-632-3553

www.djproducts.com