

TruckCaddy

Truck Pusher

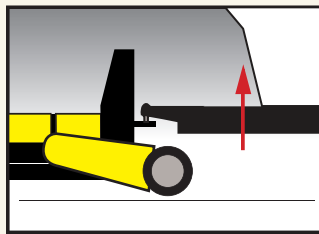
Walk Behind, Battery Powered Truck Pusher
Pushes Heavy Vehicles & Pulls Heavy Trailers



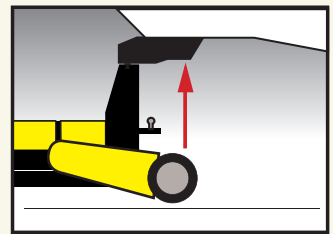
Lifts tongue weight up to 6,000 lbs
Pushes or pulls Trucks and Trailers up to 50,000 lbs



Pushes Non-Operational
Trucks into Service Bays.



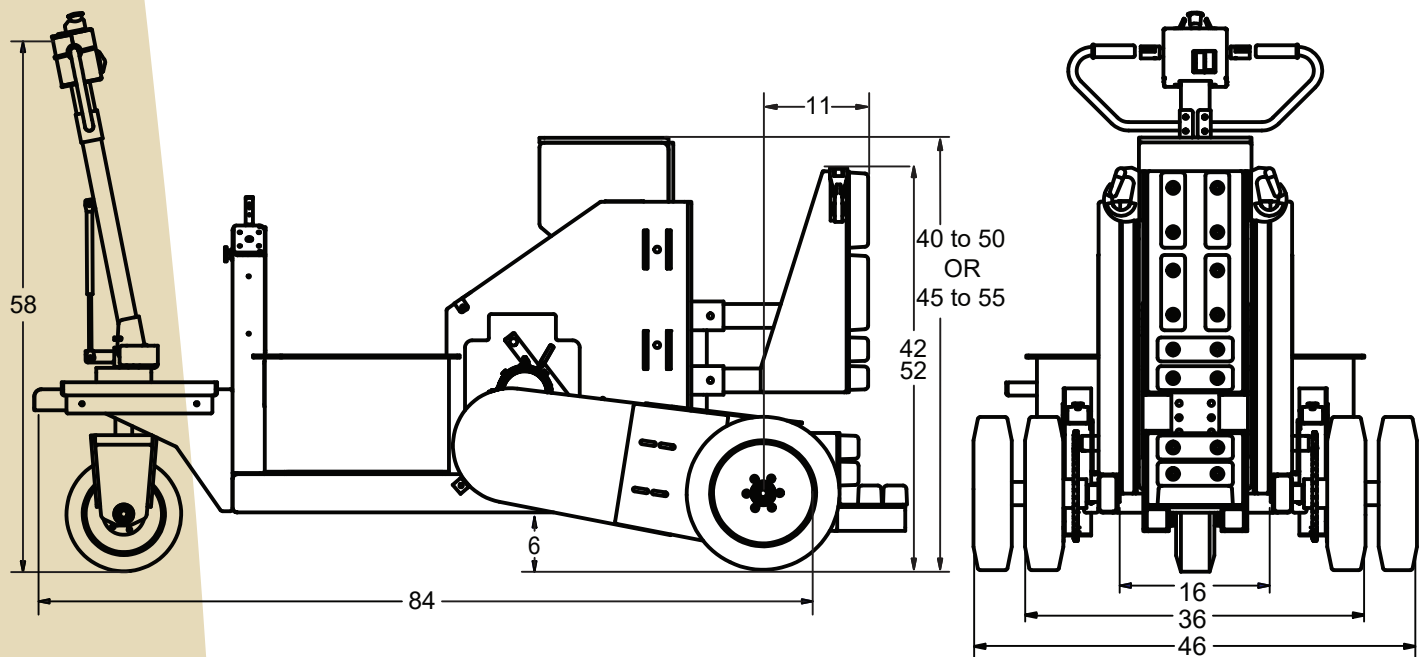
Lifts and Moves
Standard Ball and Pintle
Coupler Trailers



Lifts and Moves
King Pin and Goose Neck
Style Coupler Trailers.

TruckCaddy

Truck Pusher



TruckCaddy Standard Features

- Heavy Duty Steel Frame
- 2000 lbs Differential/Transaxle
- 2:1 Gear Reduction with Chain to Drive Tires
- High Tech Speed Controller
- Neutral Throttle Braking
- Adjustable Acceleration/Braking
- 6000 lbs Hydraulic Actuator Lift Kit
- 36v(3) 105 Amp Batteries
- Variable Speed Twist Grip
- 0-2 mph Forward/Reverse
- Battery Discharge Indicator
- Onboard Charger
- Safety Stop Switch
- 16" Solid Aggressive Tread Drive Tires (2)
- 12" Solid Aggressive Tread Steer Tire (1)

TruckCaddy Options

- TruckCaddy
- Adjustable Push Pad System
- King Pin Attachment for 5th Wheel Trailers
- Upgrade to Dual 16" Aggressive Tread Drive Tires (for lifting loads over 4000 lbs)
- Upgrade to Dual 12" Aggressive Tread Steer Tires
- Air Break Release Kit (includes pump motor, 2 cables & 5 gal. air tank)
- Pintle Hitch
- Ball Hitch and Steel Mounting Bracket
- Safety Horn
- Flashing Light and Pole
- Upgrade to 115 Amp Maintenance-Free Batteries (set of 3)
- Upgrade to Qty: (6) 105 Amp Batteries
- Upgrade to Qty: (6) 115 Amp Maintenance-Free Batteries
- Upgrade to 110 Amp AGM Batteries (set of 3)
- Upgrade to Qty: (6) 110 Amp AGM Batteries (AGM batteries needed for overseas shipments)

These options are only recommendations. Please consult a Sales Engineer at DJ Products, Inc. for your specific application. Other options are available.