

TrailerCaddyTM

2.5K Lift - 36v



Battery-powered TrailerCaddy pushes or pulls ball coupler-king pin trailers up to 20K lbs. in a moment's notice.

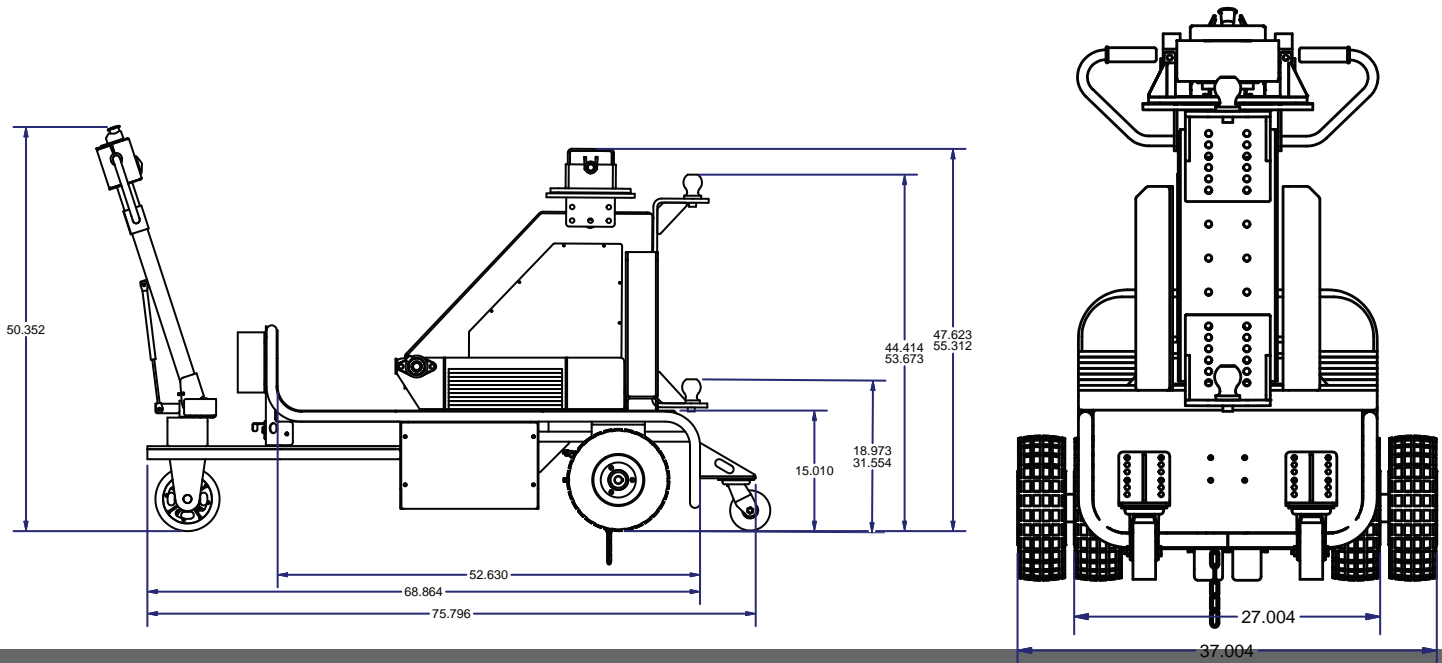
DJ PRODUCTS, INC.

1009 4th St. NW, Little Falls, MN 56345 PH: 800-686-2651 • FAX: 320-632-3553

www.djproducts.com

TrailerCaddy™

2.5K Lift - 36v



TrailerCaddy Standard Features

- Tubular Steel Frame
- 1500 lb. Differential / Transaxle
- High Tech Speed Controller
- Neutral Throttle Braking
- Adjustable Acceleration/Braking
- 36v (3) 115 Amp Batteries
- Variable Speed Twist Grip
- 0-3 mph Forward/Reverse
- Non-Marking Tires
- Battery Gauge
- Automatic Charger

Lift Kit Specifications

- 2500 Lb. Hydraulic Lift Kit
- Moves Standard Ball Coupler and Goose Neck Trailers
- Custom Attachments Available

TrailerCaddy Options

- TrailerCaddy (manual steering handlebar twist grip)
- TrailerCaddy (w/wagon wheel steering)
- Heavy Duty Power Kit
Includes: 3 hp motor with max 6 hp rating
Includes Brake
- Trailer Lift Kit (2500 lbs. capacity)
- Ball and Mounting Bracket
- Pintle Hitch
- King Pin Attachment
- Foam Filled Tires (Set of 2)
- Dual Tire Kit
- 16" Tire Upgrade
- Safety Light with Pole
- Internal Charger
- Maintenance Free Batteries (Set of 3)
- Safety Horn

These options are only recommendations. Please consult a Sales Engineer at DJ Products, Inc. for your specific application. Other options are available.

Ireland/UK Importer: Brightgreen Recycling Ltd,
Fleenstown, The Ward, Co. Dublin DT11 ET71, Ireland.
Ph: +353 86 3881615 E: aidan@brightgreen.ie

DJ PRODUCTS, INC.

1009 4th St. NW, Little Falls, MN 56345 PH: 800-686-2651 • FAX: 320-632-3553

www.djproducts.com