

# Lindy's Aircraft Caddy

Battery powered aircraft tug for one person to safely and easily maneuver aircraft in/out of tight spaces in hangars or in staging on the ramp up to 35,000 lbs.



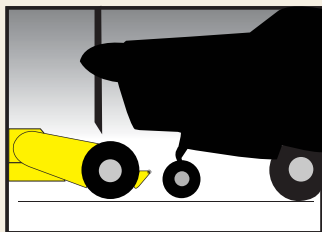
Nose Wheel Cradle



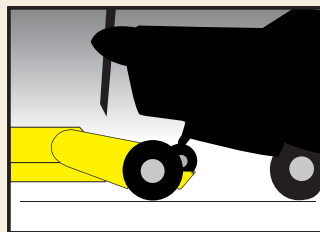
Spring Ramp



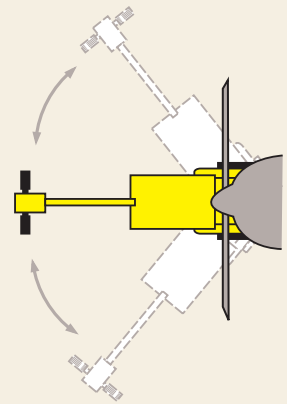
Moves airplanes up to 35,000 lbs with or without wheel pants



Aircraft tug comes with easy-on wheel cradle or winch that slides effortlessly under front tire of aircraft.



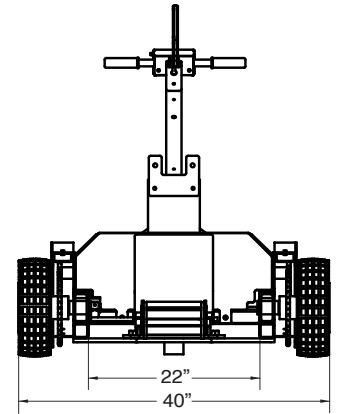
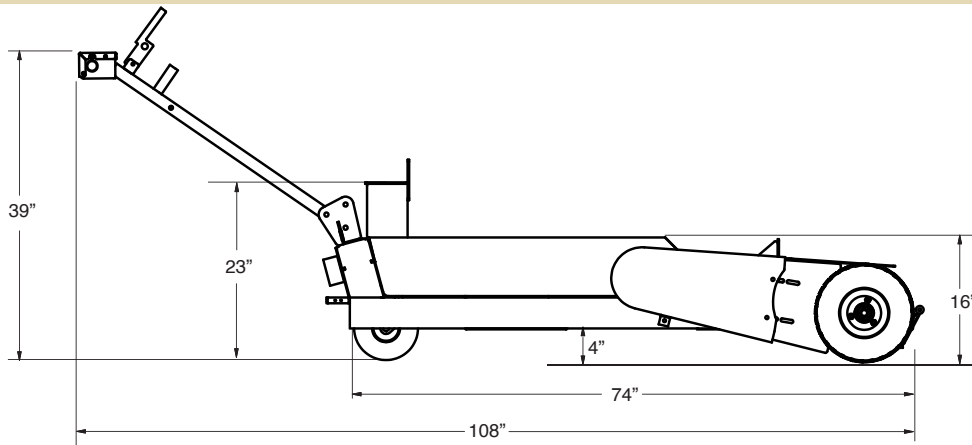
Transfers weight from nose wheel to drive tires of tug for better traction over humps, inclines, and slippery conditions.



The cradle has a 5th wheel style turning that allows aircraft tug to turn full 180 degrees under aircraft wheel.

LINDBERGH  
AIRCRAFT TUG Co.

# Lindy's AircraftCaddy



## AircraftCaddy Standard Features

- Heavy Duty Steel Frame
- 2000 lb / 3000 lb Differential / Transaxle
- 2:1 Gear Reduction with Chain to Drive Tires
- High Tech Speed Controller
- Neutral Throttle Braking
- Adjustable Acceleration/Braking
- 36v(3) 85 Amp Batteries
- Variable Speed Twist Grip
- 0-2 mph Forward/ Reverse
- Battery Discharge Indicator
- Onboard Charger
- Control Handle Bars Disassemble for Shipping and Storage

## AircraftCaddy Options

AircraftCaddy  
15K(36v) / 35K(36v)

Wheel Guide for Wheel Pants and Non-Wheel Pants Planes  
*Includes: Guide, Spring Ramp, 5" Wheel Chock, Lazy Susan Turning with spring pin stop*

Hand Crank with 7 ft Strap and Wheel Tether

4500# Electric Winch with 7 ft Strap and Wheel Tether

Upgrade to 16" Foam Filled Turf Tires

DC Power Supply and 10' Cord  
(for starting airplane and running avionics)

- Single-Pin Plug
- Three-Pin Plug

Wheel Axle Tow Bar and Catch

Strut Axle Tow Bar and Catch

Custom Logo

Ball Hitch & Mounting Bracket for Moving Trailers

Foam Filled Tires

Safety Stop Switch

10" Nosewheel Lift

Nine tooth gears heavier planes/inclines/bumps  
increase torque 2.5x reduces speed

These options are only recommendations. Please consult a Sales Engineer at Lindbergh Aircraft Tug Company for your specific application. Other options are available.

Ireland/UK Importer: Brightgreen Recycling Ltd,  
Fleenstown, The Ward, Co. Dublin DT11 ET71, Ireland.  
Ph: +353 86 3881615 E: aidan@brightgreen.ie

LINDBERGH  
AIRCRAFT TUG Co.

1009 4th St. NW, Little Falls, MN 56345 • PH: 888-631-5011 • FAX: 320-632-3553

www.lindbergh.com/aircraft-tug