

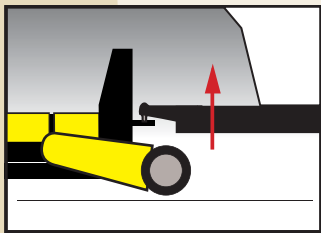
TrailerCaddy™

15K Lift - 36v

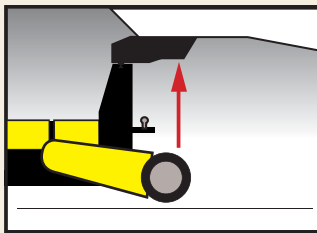
**The Walk Behind, Battery Powered Trailer Mover.
Move Heavy Trailers With Ease!**



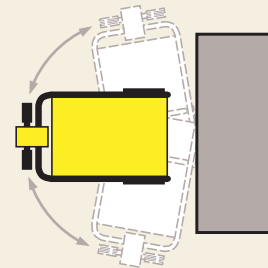
Lifts tongue weight up to 15,000 lbs
Pushes or pulls up to 50,000* lbs
Optional Air Brake Release Package Available
**Zero Grade Smooth Surface Rating*



**Lifts and Moves Standard
Ball and Pintle Coupler
Trailers.**



**Lifts and Moves King Pin
and Goose Neck Style
Coupler Trailers.**



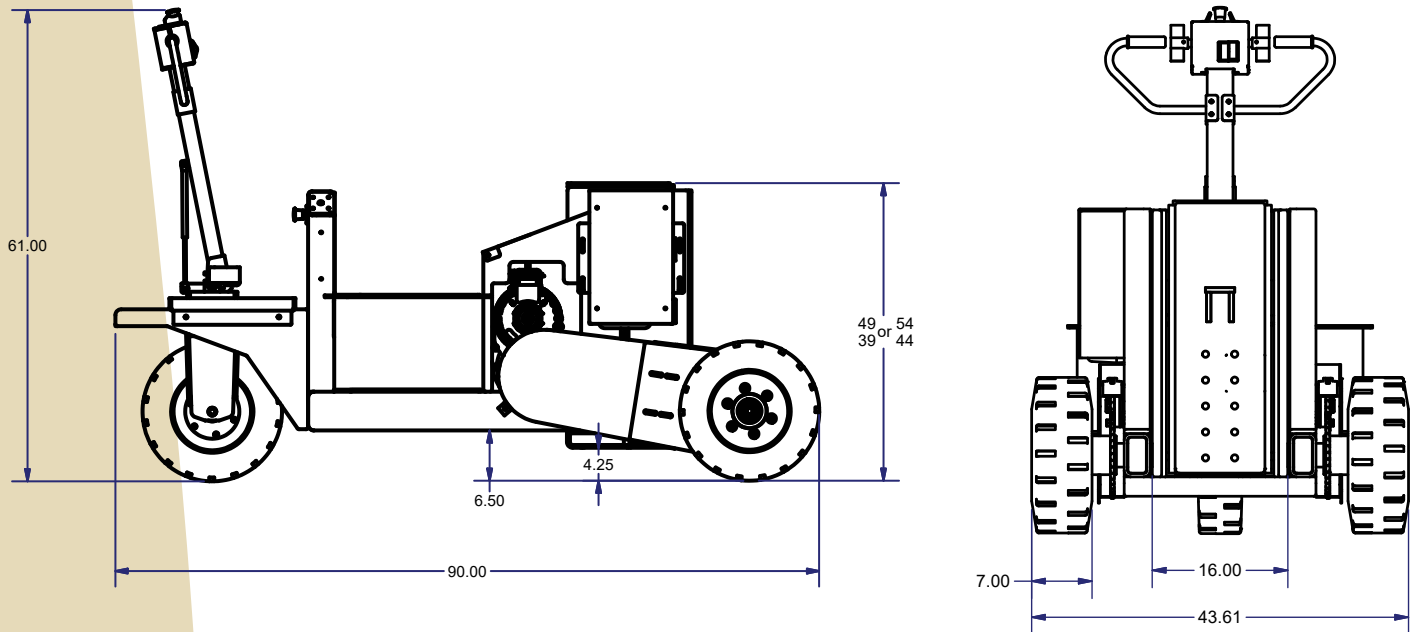
**Lifts and Moves Heavy
Campers, Boats, Utility,
Generators or Equipment
Trailers!**

DJ PRODUCTS, INC.

1009 4th St. NW, Little Falls, MN 56345 • PH: 800-686-2651 • FAX: 320-632-3553 • www.djproducts.com

TrailerCaddy™

15K Lift - 36v



TrailerCaddy 15K Lift - 36v Standard Features

- Heavy Duty Steel Frame
- 6HP Motor/Differential Transaxle
- 5.6:1 Gear Reduction with Chain to Drive Tires
- High Tech Speed Controller
- Neutral Throttle Braking
- Adjustable Acceleration/Braking
- 15,000 lbs 10" Hydraulic Pump Lift Kit
- 36v(3) 150 Amp Batteries
- Variable Speed Twist Grip
- 0-2 mph Forward/Reverse
- Battery Discharge Indicator
- External Charger
- Safety Stop Switch
- Safety Horn
- (2) 18" Solid Tread Drive Tires (7"w)
- (1) 18" Solid Tread Steer Tire (4 1/2"w)

TrailerCaddy 15K Lift - 36v Options

TrailerCaddy 15K Lift - 36v

King Pin Attachment for 5th Wheel Trailers

Upgrade to Dual 18" Steer Wheels

Air Brake Release Kit
(includes pump motor, cables & 5 gal. air tank)

Pintle Hitch

Ball Hitch and Bracket

Safety Strobe Flashing Light

King Pin Lighting Kit

Foot Path Lighting Kit

Extended 10" Lift Kit (brings total lift to 20")

Upgrade to 24" Hydraulic Pump Lift Kit
(Cannot be used with King Pin, only with Pintle or Ball Hitch)

Upgrade to 110 Amp AGM Batteries (Set of 3)

Upgrade to Qty: (6) 150 Amp Batteries

Upgrade to Qty: (6) 110 Amp AGM Batteries
(AGM batteries needed for overseas shipments)

These options are only recommendations. Please consult a Sales Engineer at DJ Products, Inc. for your specific application. Other options are available.

Ireland/UK Importer:
Brightgreen Recycling Ltd,
Fleestown, The Ward, Co. Dublin DT11 ET71, Ireland.
Ph: +353 86 3881615 E: aidan@brightgreen.ie

DJ PRODUCTS, INC.

1009 4th St. NW, Little Falls, MN 56345 PH: 800-686-2651 • FAX: 320-632-3553

www.djproducts.com