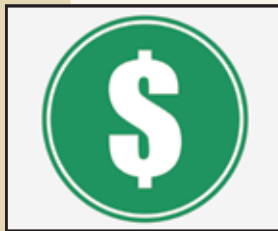


RailCarCaddy

15K Lift - 48v



**Walk behind, battery powered mover
Pushes or pulls rail cars up to 250,000+ lbs**



Low Cost
SAVE MONEY!
RailCarCaddy is less than 10% the cost of a new diesel rail car mover!



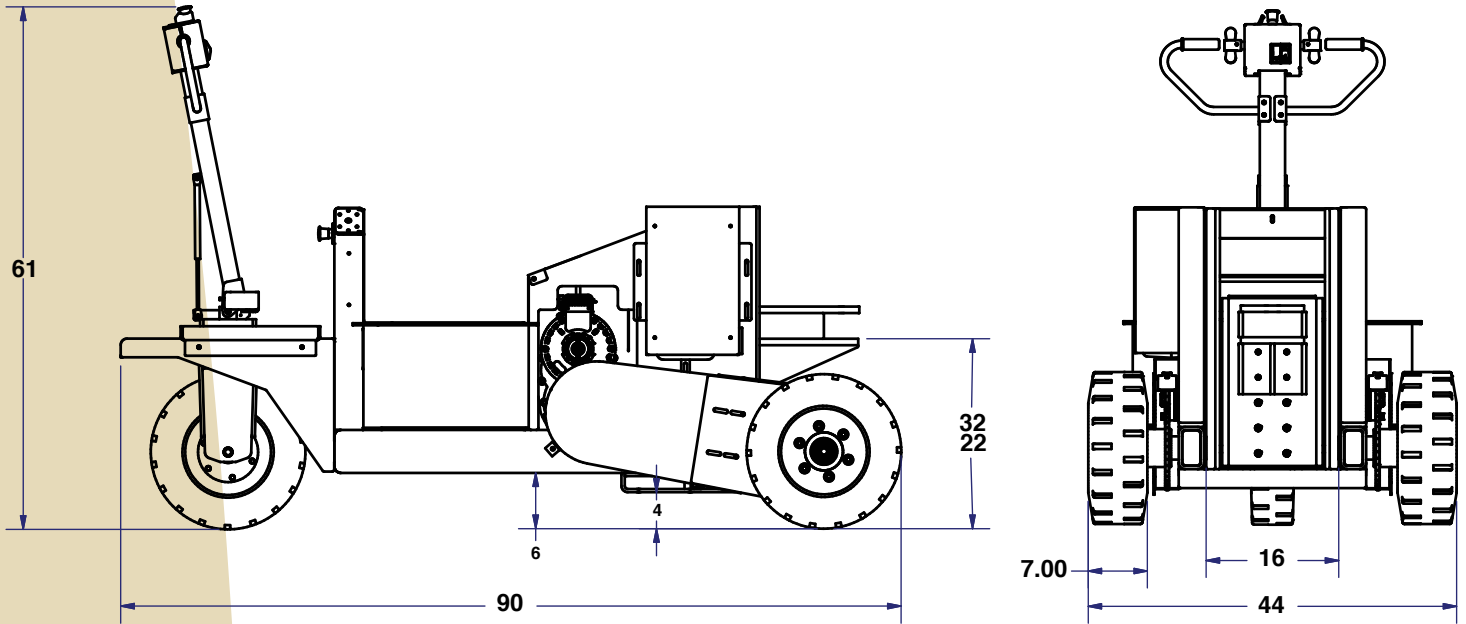
Improve Efficiency
Any properly trained worker can move rail cars at moment's notice.



Improve Safety with RailCarCaddy rail car movers!

RailCarCaddy

15K Lift - 48v



RailCarCaddy 15K - 48v Standard Features

- Heavy Duty Steel Frame
- 2000 lbs Differential/Transaxle
- 5.6:1 Gear Reduction with Chain to Drive Tires
- High Tech Speed Controller
- Neutral Throttle Braking
- Adjustable Acceleration/Braking
- 15,000 lbs Hydraulic Cylinder Lift Kit
- 48v(4) 150 Amp Batteries
- Variable Speed Twist Grip
- 0-2 mph Forward/Reverse Battery
- Discharge Indicator
- Onboard Charger
- Safety Stop Switch
- 18"x7" Solid Aggressive Tread Drive Tires (2)
- 18"x4" Solid Aggressive Tread Steer Tire (1)

RailCarCaddy 15K - 48v Options

- ____ RailCarCaddy 48 Volt
- ____ Custom Rail Car Coupler
- ____ Pintle Hitch
- ____ Safety Horn
- ____ Flashing Light and Pole
- ____ Fully Enclosed Chain Guards
- ____ Upgrade to Qty: (8) 150 Amp Batteries
- ____ Upgrade to Qty: (8) 110 Amp AGM Batteries
(AGM batteries needed for overseas shipments)

These options are only recommendations. Please consult a Sales Engineer at DJ Products, Inc. for your specific application. Other options are available.