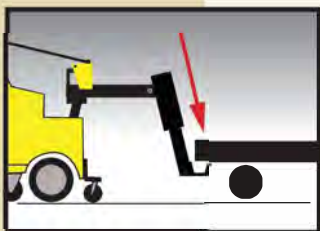


CartCaddy⁵WPTM

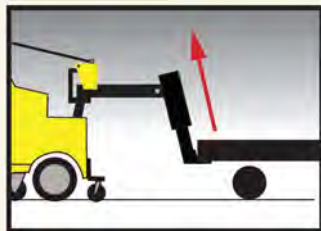
Prevents physical strain and pain associated with pushing or pulling heavy carts and other wheeled equipment. Designed especially for loads that require turning or intricate maneuvers.



Push or Pull 3,000 to 15,000 lbs



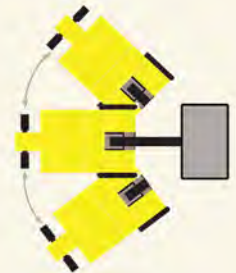
CartCaddy5WP electric lift kit raises and lowers for quick connection to carts.



Firm attachment to cart transfers weight to wheels of CartCaddy5WP.



CC5WP easily moves trailer tongues w/ball hitch



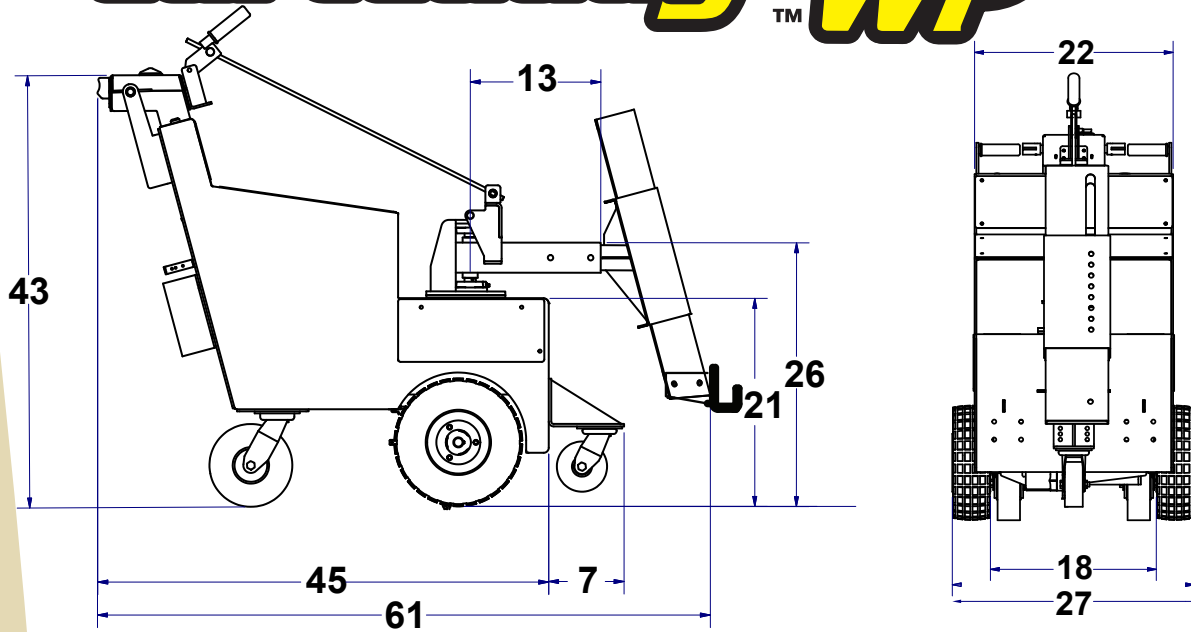
CartCaddy5WP pivots 180° under arm attached to load for easy steering.

DJ PRODUCTS, INC.

1009 4th St. NW, Little Falls, MN 56345 • PH: 800-686-2651

• FAX: 320-632-3553 • www.djproducts.com

CartCaddy5WP™



CartCaddy5WP Standard Features

- Welded Sheet Steel Frame
- 1500 lb. Differential/Transaxle
- High Tech Speed Controller
- Neutral Throttle Braking
- Adjustable Acceleration/Braking
- 36v(3) 115 Amp Batteries
- Variable Speed Twist Grip
- 0-3 mph Forward/Reverse
- Non-Marking Tires
- Battery Discharge Indicator
- Automatic Charger

CartCaddy5WP Pricing & Options

Recommended Standard Package (Loads up to 5000 lb.)

CartCaddy5WP

Electric Lift Kit

5th Wheel Arm (Includes centering coupler and lever kit)

250 lbs Weight: For increased traction

Custom Adjustable Powder Coated Steel Attachment

Safety Stop Switch and Guard Kit

Foam Filled Tires (Set)

Available Options

Safety Horn

Flashing Light and Pole

Maintenance-free Batteries (set of 3)

Onboard Charger

Recommended upgrades for heavier loads	5,000 - 10,000 lb.	10,000 - 15,000 lb.
Power and Brake Motor Upgrade		
Additional Weight (200 lbs) for increased traction		
Additional Weight (400 lbs) for increased traction		
Total		

These options are only recommendations. Please consult a Sales Engineer at DJ Products, Inc. for your specific application. Other options are available.