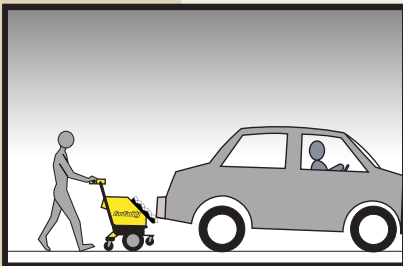


CarCaddyTM

Prevents physical strain and pain associated with pushing cars, trucks, buses, or anything on wheels.



Push up to 50,000 lb.



CarCaddy effortlessly pushes stalled cars and trucks while another person steers.



CarCaddy moves vehicles down production or assembly lines.

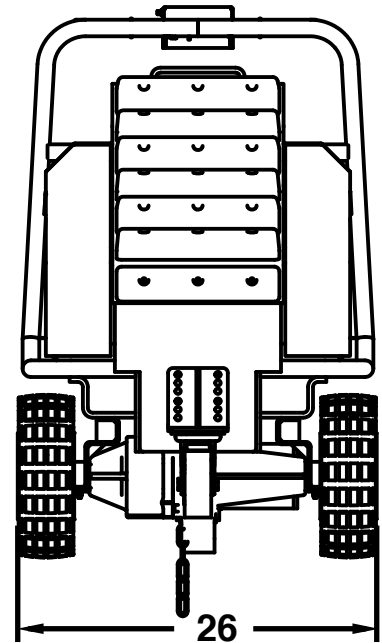
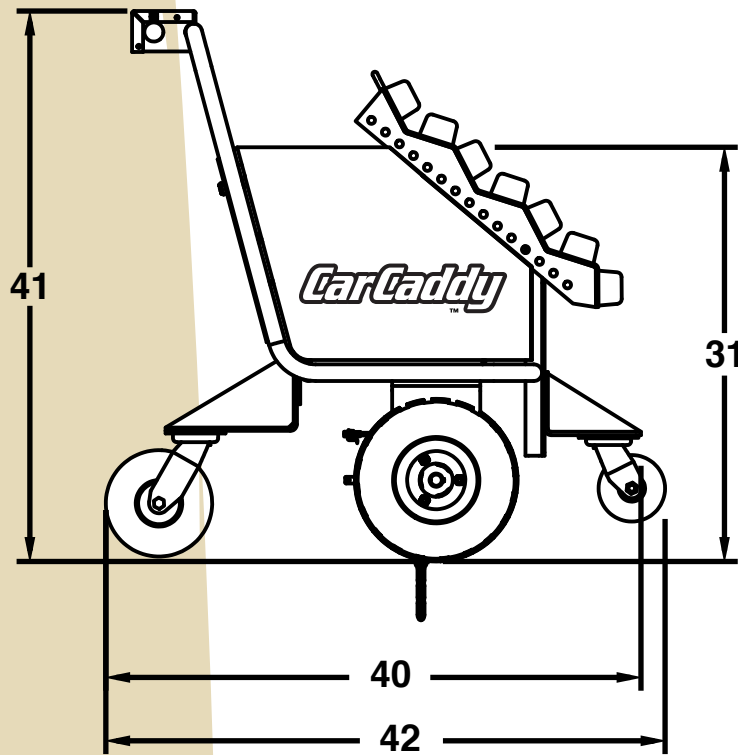


CarCaddy pushes heavy carts or wheeled equipment down production or assembly lines.

DJ PRODUCTS, INC.

1009 4th St. NW, Little Falls, MN 56345 • PH: 800-686-2651 • FAX: 320-632-3553 • www.djproducts.com

CarCaddy™



CarCaddy Standard Features

- Tubular Steel Frame
- 1500 lb. Differential/Transaxle
- High Tech Speed Controller
- Neutral Throttle Braking
- Adjustable Acceleration/Braking
- 36v(3) 12-Volt Batteries
- Variable Speed Handlebar Twist Grip
- 0-3 mph Forward/Reverse
- Non-marking Soft Tread Tires for Traction
- On-board Automatic Charger

CarCaddy Options

CarCaddy

High Output Controller/Motor Power Upgrade

(pushes cars and trucks up to 20,000 lbs on flat ground and up to 10,000 lbs on 3% grade)

Adjustable Non-Marking Push Pad

Total:

Foam Filled Tires (set of 2)

Set of Snow and Ice Tires

Safety Light & Pole

Safety Stop Switch

Safety Horn

Heavy Duty Motor/Transaxle Power Upgrade

(pushes cars and trucks up to 50,000 lbs)

Maintenance-free Batteries (set of 3)

These options and prices are only recommendations. Please consult a Sales Engineer at DJ Products, Inc. for your specific application. Other options are available.